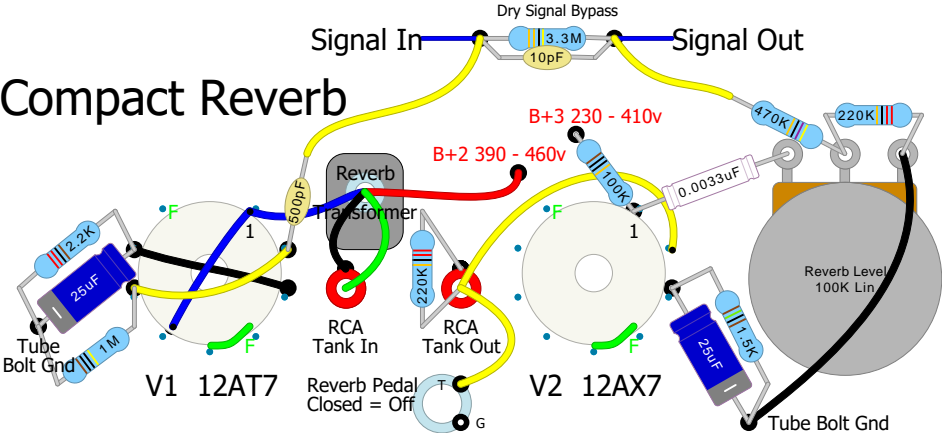


# Compact Reverb



Circuit based on AA1164 Princeton Reverb. Reverb Transformer 25k:8ohm 3.5w. Layout by Rob Robinette  
Signal tapped between preamp stages--see AA1164 Schematic for detail. Uses any tweed 8:2.25k ohm Reverb Tank.